

WBox_78K reader units

The WBox type reader units are used for reading contactless cards and their construction makes them best for attendance applications. Ergonomically positioned controls together with a backlit screen allow the staff easy and well-arranged attendance registration. When it comes to running they can be autonomous or ON Line controlled with the ability to switch OFF Line in case communication problems appear. They are equipped with a MCS-51 microcomputer. These reader units offer a wide range of options not only for registration itself, but for employee awareness as well.



Versions of WBox_78K reader unit

WIST010B.XX

.01	WBox_78K PROXY	Contactless reader head 125kHz
.02	WBox_78K MIFARE	Contactless reader head Mifare 13,56MHz
.03	WBox_78K MOTOROLA	Contactless reader head Motorola
.04	WBox_78K LEGIC	Contactless reader head Legic 13,56MHz

Functional options

Reading range with internal antenna	From 5 cm – depending on ID card type
Reading card check	Acoustic and optical
Allowed cards chart capacity	5445 records (personal time zones), RAM 128 kB backed up by accumulator
Time zones	31 time zones defined as a set of 1-32 time intervals, days of validity according to the weekday or work calendar
PIN code	Option to verify 1-9 character PIN code, always / while EZS is activated / never
Chart of passages capacity	6556 records, 128 kB RAM backed up by accumulator
Time of passage	Day, month, year, hour, minute, second
Interruption codes	4 groups (arrival or departure, arrival, departure, system reports, each can contain 16384 different interruption codes
System errors*	EZS activation, cover removal, door locking, PIN input error, quiet alarm, passage without opening the door, improper door closing, opening the door by the key...
Passage without giving a reason, automatic arrival/departure switching	Option of processing way – save/don't save the passage, open/close the door, set passage code, 8 switching times (hour, minute)
ON Line control of the unit from PC	Door unlocking, unit passage blocking
Automatical door unlock	8 time intervals of unlocked door (validity of the interval according to weekday or calendar, hour and minute of the beginning and end of int.)



Technical parameters

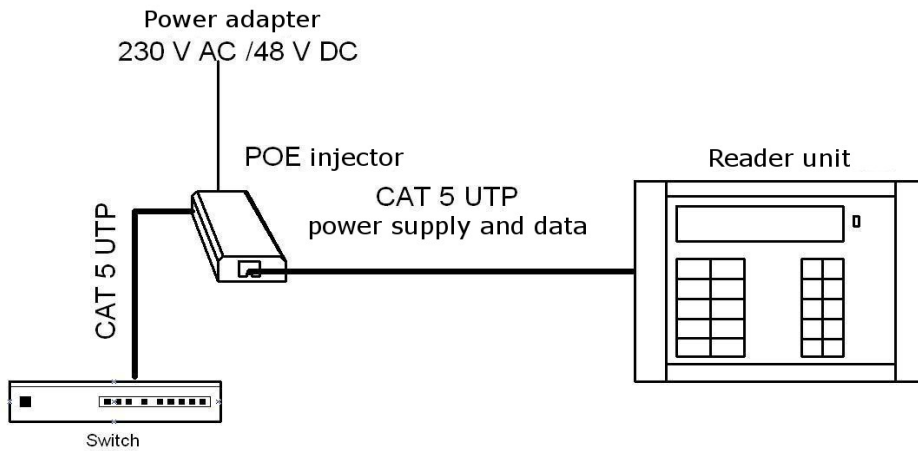
Dimensions	265 mm x 195 mm x 40 mm
Weight	400g
Voltage/Power supply	9-36V DC, POE * optional at order
Max. consumption	200 mA
Data memory	SRAM 128 kB backed up by internal battery
Galvanic separation	Only RS 485 Bus
Communication interface	RS485
Signalization	2x LED, 1x Buzzer
Number of all or nothing relays	2
Membrane keyboard	WBox_78K - 24 keys, slovak print
Type of contacts	Choice between NO or NC
Max. switching power	50 W
Max. switching current	1 A DC
Inputs	2 isolated inputs, door opening sensor, door locking sensor
Number of reader heads	1 or 2
Interface of reader heads connected	I2C, WIEGAND, RS 232
Display	Yes, 2 x 16 characters
Range of working temperatures	0 to +50 °C
IP coverage	IP 40

*optional

Dimensions



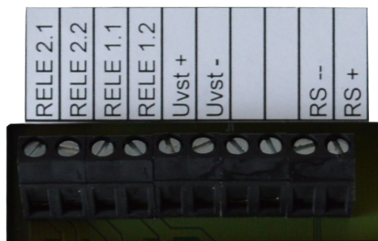
Scheme of connecting the POE feed



Technical parameters for POE feed

Type of feed	Passive POE
Power supply of POE injector	48V DC
Max. consumption	1 A
Signalization	LED
Length of network segment	Max. 100 m
Supported standards	IEE 802.3, IEE 802.3u. CSMA/CD, TCP/IP
Type of cable used	RJ 45 – CAT 5, UTP

Description of connectors



Connector	Meaning
RELE 2.1	Contact relay 2
RELE 2.2	Contact relay 2
RELE 1.1	Contact relay 1
RELE 1.2	Contact relay 2
Uvst +	Positive pole of power supply voltage
Uvst -	Negative pole of power supply voltage
RS -	RS 485 Bus – RS-
RS +	RS 785 Bus - RS+

